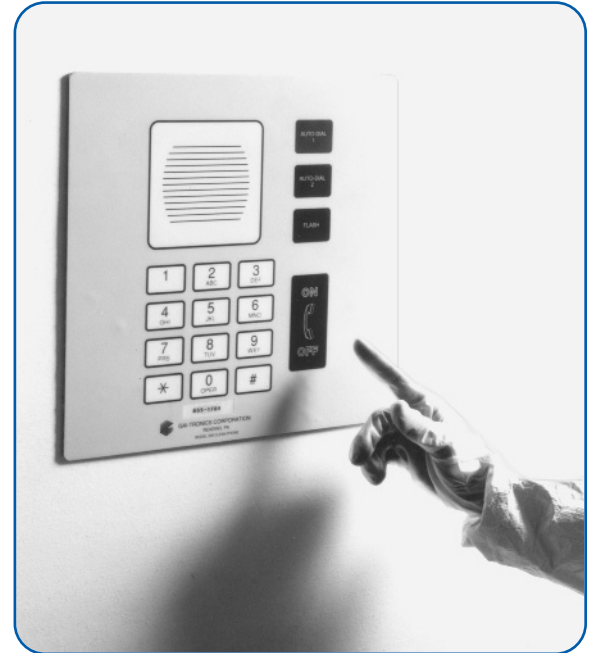


Features

- **Two auto-dial numbers allow quick communication at the touch of a button.**
- **“Flash” button allows CLEAN PHONE[®] to use features of a PBX system.**
- **Completely smooth front panel is sealed with an overlay that keeps the phone particulate-free and makes cleaning quick and easy.**
- **Auto answer option allows clean room personnel to answer calls without leaving their stations.**
- **Oversized buttons allow easy operation for gloved hands. Button function is clearly indicated.**



Model 295 - Password - protected programming.

The **Clean Phone**[®] unit's hands-free operation is ideal for clean room environments. Available in a flush 295F or 295W wall-mount design, advanced software makes this phone sophisticated enough to handle complex operations while maintaining ease of use. The visual graphics are printed on the reverse side of the overlay to prevent particulate shedding and to ensure longevity.

Operation is simple: two auto-dial buttons connect the caller with pre-programmed numbers and the fully-functional keypad allows standard telephone operation. Each Model 295 **Clean Phone**[®] requires a Model 40411-004 Power Supply to operate.

The CLEAN PHONE[®] graphic overlay is designed to withstand exposure to many chemicals (see partial list below). **For a complete list, please contact your GAI-Tronics service representative.**

Isopropanol
Methanol
Benzene
Water <100°
Acetone
Alkal carbonate
Hydrogen peroxide 25%

Aliphatic hydrocarbons
Xylene
Trichlorethylene
Ammonia < 2%
Washing Powders
Caustic soda < 2%

Toluene
Chlorofluorohydrocarbons
Phosphoric acid < 30%
Hydrochloric acid < 30%
Nitric acid < 10%
Sodium hypochlorite < 20%

Specifications

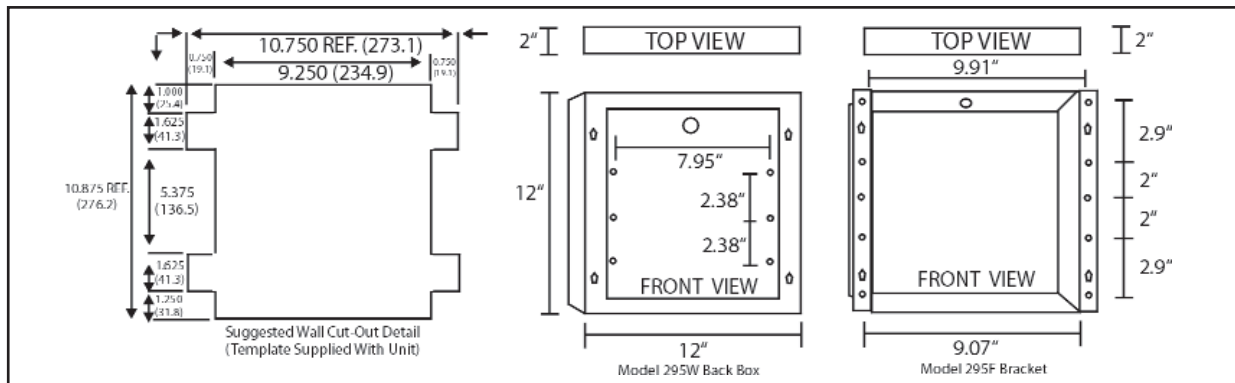
FCC Registration Number	ADGUSA-60747-MT-E
USOC	RJ11
Ringer Equivalence	0.4B
Power Requirements:	
Model 40411-004 Power Supply (NRTL Listed)	Input:100 VAC to 240 VAC, 50 to 60 Hz Output: 48VDC @ 250ma
Auto-dial Capacity	Two 16-digit numbers
Call Initiation	Push-activated
Call Termination	Push-activated Loop Current Disconnect
Programming	Remote DTMF
Signaling	DTMF or Pulse
Speaker Output, Max. (average speech level)	85 dBs spl @ 1 meter
Ambient Noise Level Limit	75 dBA
Operating Temperature	-4°F to +140°F (-20°C +60°C)
Construction:	

Model 295F:	Front Panel: 8 mil polyester over 16 gauge stainless steel Mounting Bracket: 16 gauge stainless steel
Model 295W:	Front Panel: 8 mil polyester over 16 gauge stainless steel Back Enclosure: 16 gauge stainless steel

Dimensions:

Model 295F:	Front Panel: 12W x 12H (inches); 305W x 305H(mm) Mounting Bracket: 10.7W x 10.8H x 1.8D (inches); 273W x 276H x 44D (mm)
Model 295W:	Front Panel: 12W x 12H (inches); 305W x 3.5H (mm) Back Enclosure: 12W x 12H x 2D (inches); 305W x 305H x 52D (mm)

Mounting Details



Ordering Information

Model No.	DESCRIPTION:
295F	Flush-Mount Telephone
295W	Wall-Mount Telephone
40411-004	Plug-in Power Supply

Accessories & Options

Model No.	DESCRIPTION:
235	Maintenance Cover

Pub. 891200 rev. 8-2007



GAI-Tronics® - USA Toll Free: 1 (800) 492-1212 Tel: (610) 777-1374 Fax: (610) 796-5954 www.gai-tronics.com

GAI-Tronics® Limited, UK Tel: +44 (0)1283 500500 Fax: +44 (0)1283 500400 www.gai-tronics.co.uk
 GAI-Tronics® S.r.l, Italy Tel: +39 02 48601 460 Fax: +39 02 4585 625 www.gai-tronics.it
 GAI-Tronics® - Malaysia Tel: +60-3-8945-4035 / 8945-7348 Fax: +60-3-8945-4675 www.gai-tronics.com
 Austdac - GAI-Tronics® - Australia Tel: 011-61-28-851-5000 Fax: 011-61-29-899-2490 www.austdac.com.au

Quality Management Systems Certified - ISO9001:2000

The policy of GAI-Tronics is one of continuous improvement; therefore the company reserves the right to change specifications without notice.